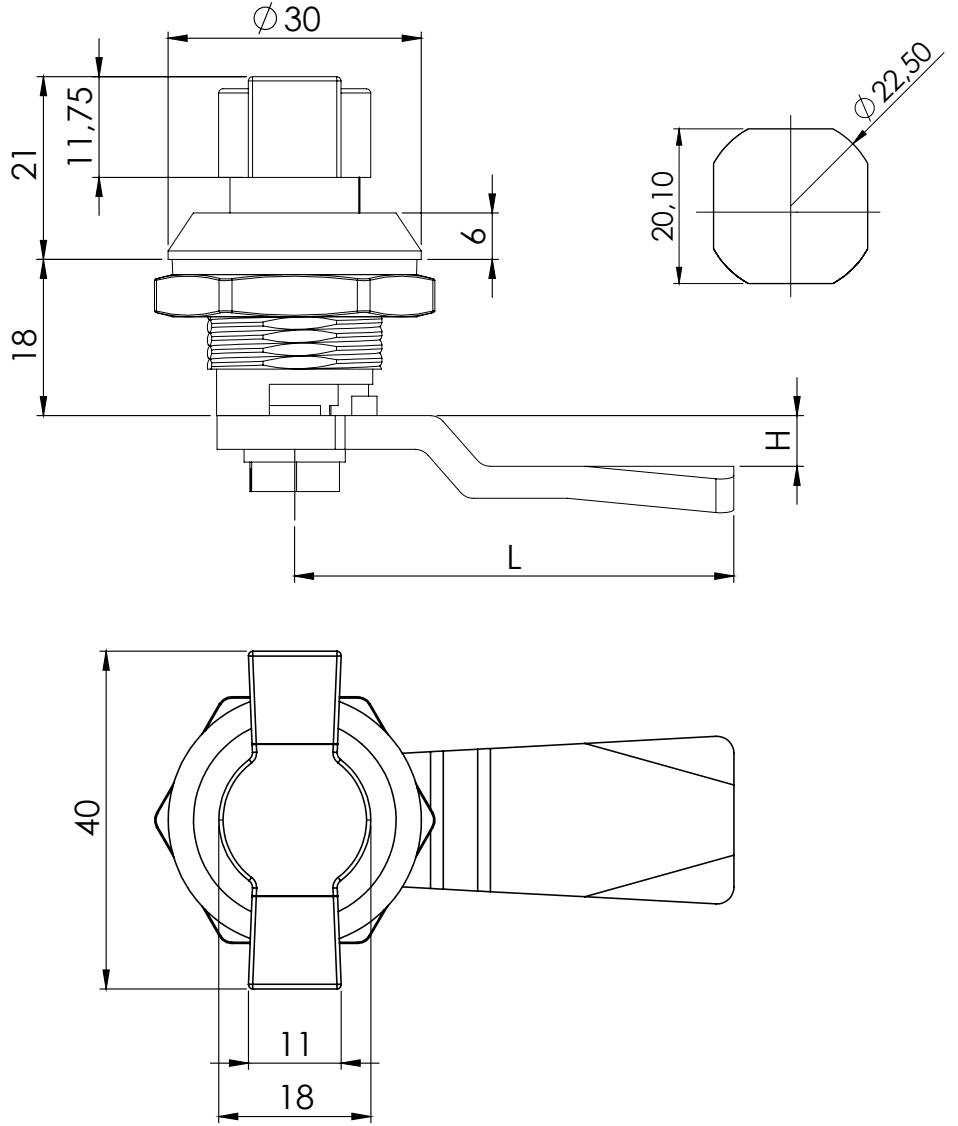


# YAYLI PANO KİLİTLERİ

## QUARTER TURN CAM LOCKS

204

Yaylı Pano Kilidi (Metal Kelebek) / Quarter Turn Wing Knob



### KULLANIM ALANLARI:

Elektrik Panoları, Makine Kapakları

### APPLICATIONS:

Electric Panels, Machinery Covers

Kod Code	Kovan Housing	Kelebek Knob	Dil Cam
204	1 F	1 F	CM

• Yüzey / Finishing  
 • Malzeme / Material  
 • Yüzey / Finishing  
 • Malzeme / Material

MALZEME / MATERIAL	
KOVAN HOUSING	Zamak Zinc Die
KELEBEK KNOB	Zamak Zinc Die
SOMUN NUT	Zamak Zinc Die
DİL CAM	Çelik Steel

MALZEME / MATERIAL	CODE
Zamak / Zinc Die	1

YÜZEY / FINISHING	CODE
Krom Kaplama / Chrome Plated	1
Siyah Toz Boya / Black Powder Coated	2

İSP. TIRNAKLI DİLLER / CAMS FOR ROD CONTROL (CM)							
CODE	03	020	053	054	055	064	
H	8	0	0	12	4	0	
L	49	51	60	54	52	55	

TIRNAKLI DİLLER / CAMS WITH STOPPER (CM)																				
CODE	01	02	05	06	07	08	09	010	012	018	019	043	045	046	047	052	059	060	061	086
H	14	24	0	16	6	12	0	7	-12	0	0	0	4	10	-4	-2	15	12	5	6
L	48	48	46	46	52	50	54	44	50	29	64	44	43	48	46	52	44	44	45	62